

SHAANXI - UD TRUCK PTO POWERTRUCK adaptor kit

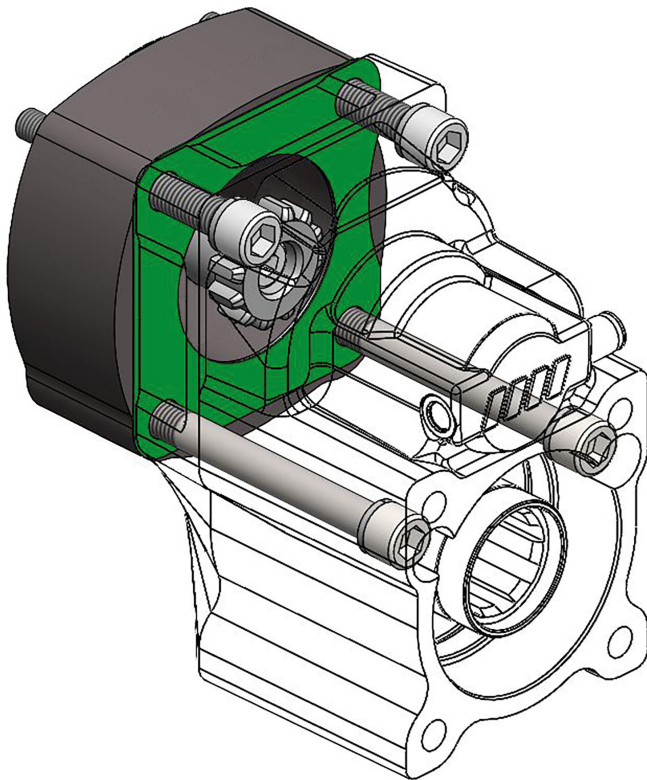
We are pleased to inform you that a new adapter is now available for the installation of the Power-truck UNI and ISO PTO's (Family code 00210X) on **UD TRUCK F6S10T / F6S13T - SHAANXI 6DS100TA / 6DS130TA** transmissions.

The attached table shows the compatible PTOs' codes with related performances.

The offset layout of the PTO allows the installation of different types of pumps without any interference with the vehicles transmission.

Ordering code

15400060057



	Compatibles PTO's	Version	rpm	Max. torque	Internal ratio
UNI	00210100138	13	1014	300	1:1,81
	00210200137		851	250	1:1,53
ISO	00210100174	17	1014	300	1:1,81
	00210200173		851	250	1:1,53
	00210300172		728		1:1,31

